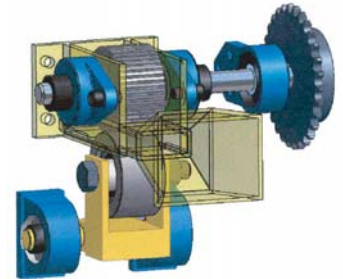
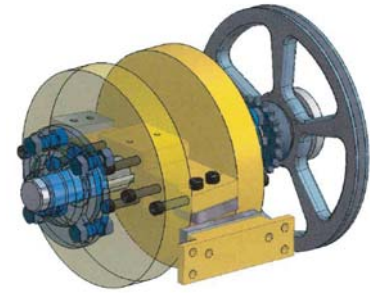
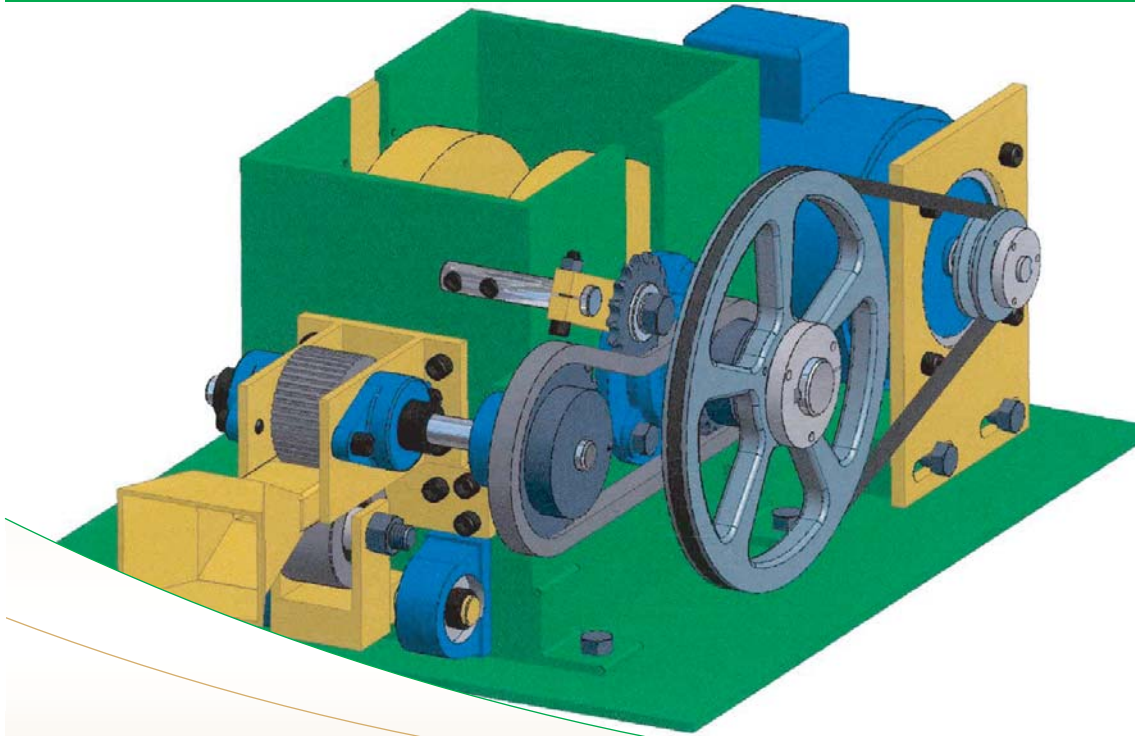




GEMOFOR
FOR A WORLD OF PERFORMANCE

G-SCUT

Strapping Cutter



AIM ON EFFICIENCY

GEMOFOR introduces a strapping cutter to finish-up the strapping operations.

Cutting the remaining straps into small pieces allows for efficient disposal. This reduces the problems associated with the storage of long pieces of strappings.

Thanks to the fabrication technique, the rotational movements minimize maintenance.

Advantages

- Tempered anvil and knife.
- Double hammered knives for longevity.
- Interchangeable for usage of the 4 cutting edges.

Specifications

- Steel or plastic bands.
- 0,100" thick by 1,5" wide.
- Grooved, tempered and knurled driving roll.
- Clearance by spring handle.
- 3" band wastes.
- Fenced for security.

Now manufactured and sold by:

CARBOTECH
INTERNATIONAL 

Main Office

2250, rue Saint-Jean
Plessisville (Québec)
Canada G6L 2Y4
Phone: 819 362-6317
Fax: 819 362-6166
info@carbotech-intl.com
www.carbotech-intl.com

Doug Eubanks,

U.S. Corporate manager

518 Grand Point Drive
Hot Spring, AR 71901, USA
Phone: 501 262-2169
Fax: 501 262-4578
Cell.: 501 282-3242
dougaseubanks@earthlink.net