

Motorized Polishing Brush



GEMOFOR
FOR A WORLD OF PERFORMANCE



For a Stain-Free Production

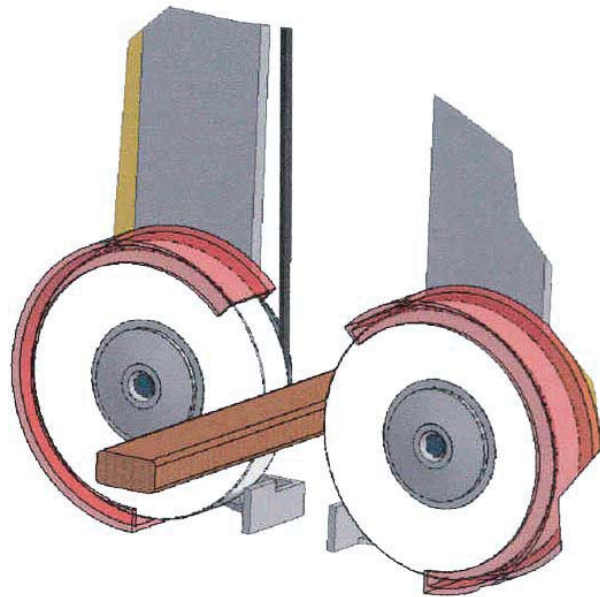
For a world of performance

GEMOFOR's **motorized polishing brush**, installed at the jointers out feed, takes away any excess glue which may cause unaesthetic stains when cooked.

Thanks to its flexibility and narrowness, the motorized polishing brush is easily integrated to existing equipment.

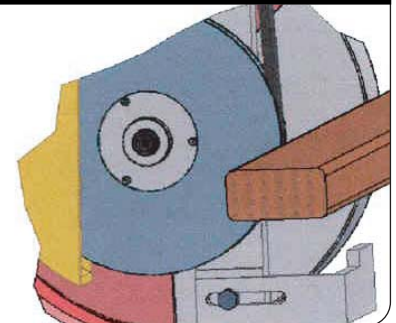
Advantages

- Each brush is individually motorized.
- Each brush is cleaned up by a scraper, which is adjustable for the wear-out.



Technical Specifications

- Two 12" diameter disposable nylon brushes.
- Manual width adjustment on pivot with lock.
- Brushes and belts protected by fence.



Now manufactured and sold by:

CARBOTECH
INTERNATIONAL

Main Office

2250, rue Saint-Jean
Plessisville (Québec)
Canada G6L 2Y4
Phone: 819 362-6317
Fax: 819 362-6166
info@carbotech-intl.com
www.carbotech-intl.com



GEMOFOR
FOR A WORLD OF PERFORMANCE

Doug Eubanks,
U.S. Corporate manager
518 Grand Point Drive
Hot Spring, AR 71901, USA
Phone: 501 262-2169
Fax: 501 262-4578
Cell.: 501 282-3242
dougaseubanks@earthlink.net