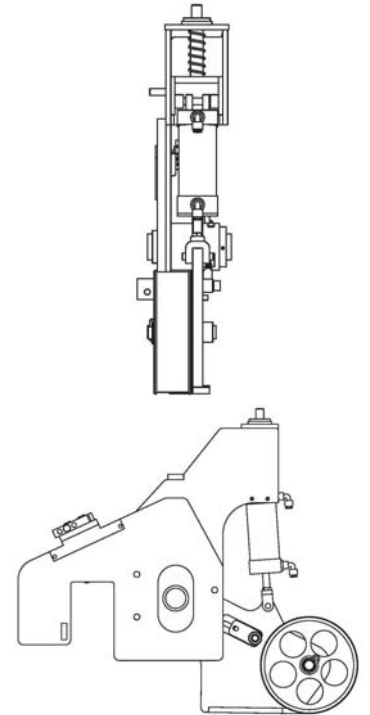




GEMOFOR
FOR A WORLD OF PERFORMANCE

GO-MARK

Grade Stamper



- Compact and rugged;
- Non driven for easy installation on any existing line;
- Modular design;
- Ink rolls easy to fill and providing clean operation;
- Easy adjustment;
- Light weight rolls for best quality printing;
- No limitation on the number of printing rolls;
- Air activated with cushion cylinder.

Now manufactured and sold by:

CARBOTECH
INTERNATIONAL 

Main Office

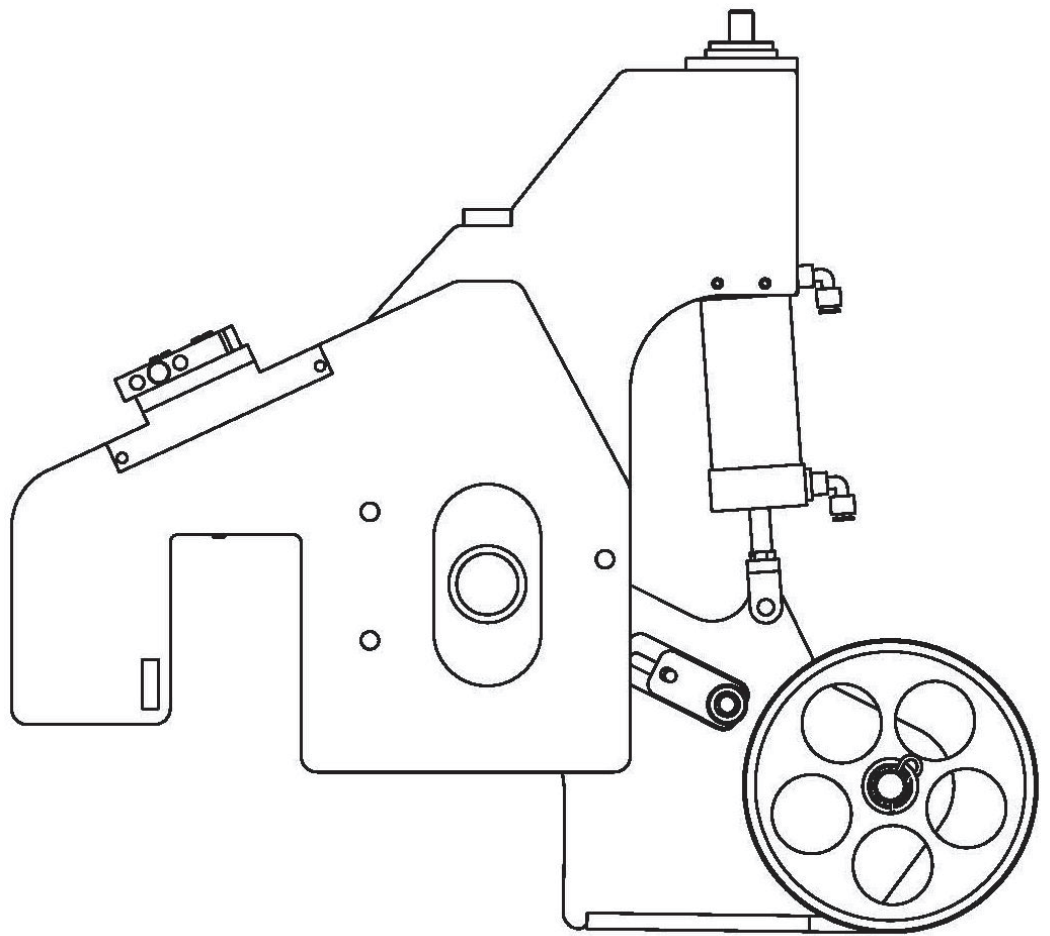
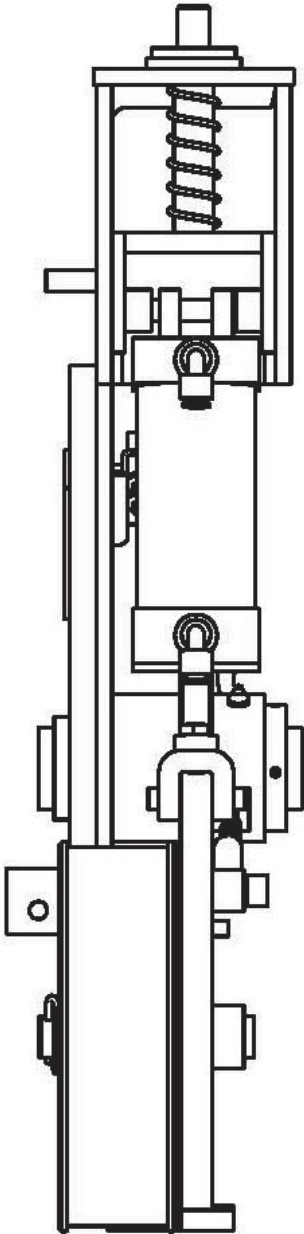
2250, rue Saint-Jean
Plessisville (Québec)
Canada G6L 2Y4
Phone: 819 362-6317
Fax: 819 362-6166
info@carbotech-intl.com
www.carbotech-intl.com

Doug Eubanks,

U.S. Corporate manager

518 Grand Point Drive
Hot Spring, AR 71901, USA
Phone: 501 262-2169
Fax: 501 262-4578
Cell.: 501 282-3242
dougaseubanks@earthlink.net

GO-MARK



GEMOFOR
FOR A WORLD OF PERFORMANCE