

GO-GATE Drop-Out System

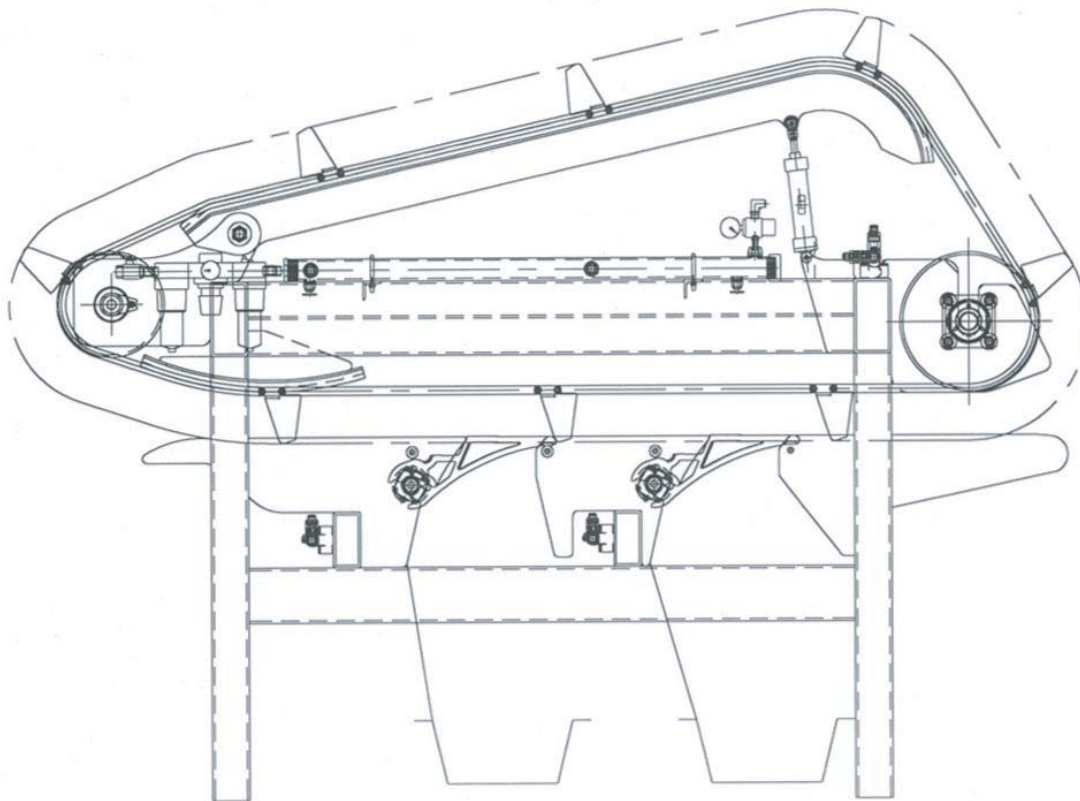


GEMOFOR
FOR A WORLD OF PERFORMANCE



For a world of performance

- Ejects pieces out of the production line.
- Gates are either full width or smart type (partial drop out for short boards).
- Product sizes: 1" X 3" to 2" X 12", 4' to 24' in length.
- Adaptable for curving sawing.
- Suspended dragging chains or push-type style.



Now manufactured and sold by:

CARBOTECH
INTERNATIONAL

Main Office

2250, rue Saint-Jean
Plessisville (Québec)
Canada G6L 2Y4
Phone: 819 362-6317
Fax: 819 362-6166
info@carbotech-intl.com
www.carbotech-intl.com



GEMOFOR
FOR A WORLD OF PERFORMANCE

Doug Eubanks,
U.S. Corporate manager

518 Grand Point Drive
Hot Spring, AR 71901, USA
Phone: 501 262-2169
Fax: 501 262-4578
Cell.: 501 282-3242
dougaseubanks@earthlink.net