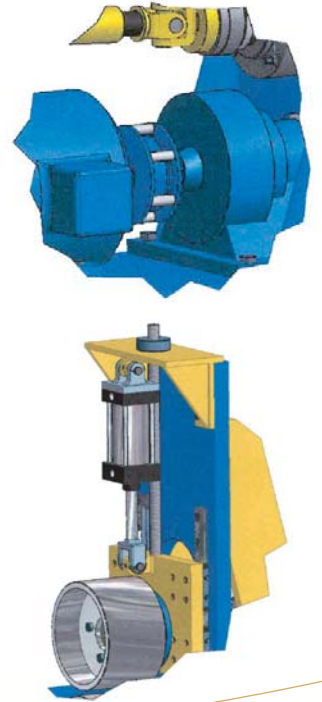
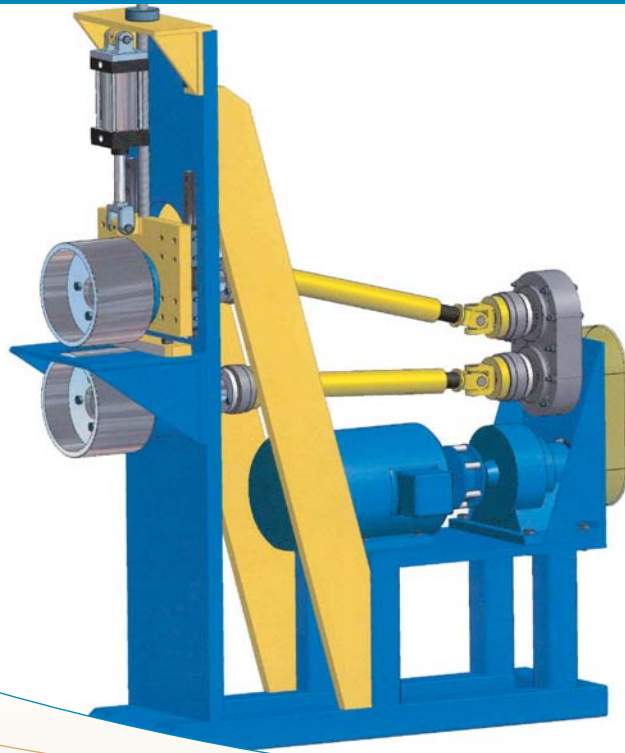




GEMOFOR
FOR A WORLD OF PERFORMANCE

G-DRIVE Boards Separator



COMPACT AND PRATICAL!

GEMOFOR introduces a space-saver board separator. With a total width of 14", it can be installed in very small spaces, hence can be easily integrated into an existing production line without major changes.

By separating the boards at the planer's out feed, it creates enough room between them to install any machine requiring such room (E.g. MSR test, wane reader, etc.).

Advantages

- Height adjustment by screw and nuts.
- Quick clearance and shock absorption by pneumatic cylinder.
- Lineal roll bearing displacement.
- Smooth rolls.

Specifications

- Magnetic coupling reducing damage to planed boards.
- Total width of 14".
- Only one motor for two rollers.

Now manufactured and sold by:

CARBOTECH
INTERNATIONAL 

Main Office

2250, rue Saint-Jean
Plessisville (Québec)
Canada G6L 2Y4
Phone: 819 362-6317
Fax: 819 362-6166
info@carbotech-intl.com
www.carbotech-intl.com

Doug Eubanks,

U.S. Corporate manager

518 Grand Point Drive
Hot Spring, AR 71901, USA
Phone: 501 262-2169
Fax: 501 262-4578
Cell.: 501 282-3242
dougaseubanks@earthlink.net